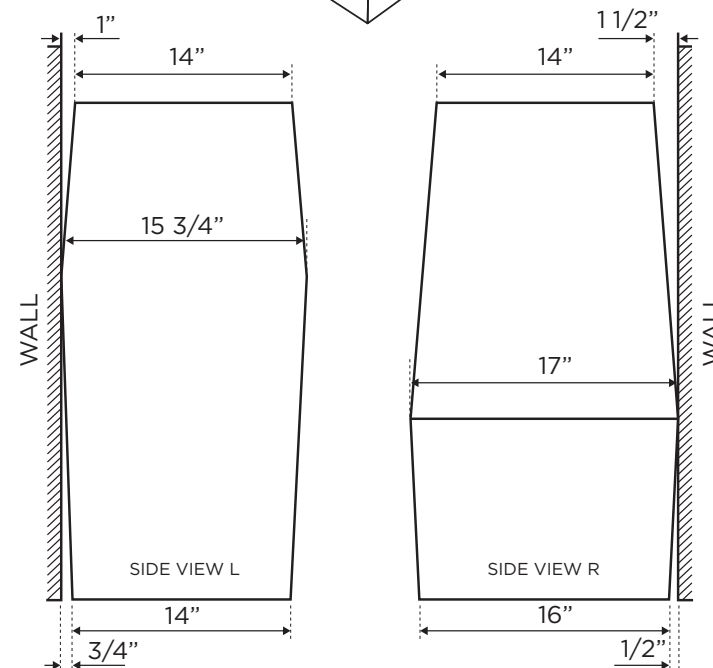
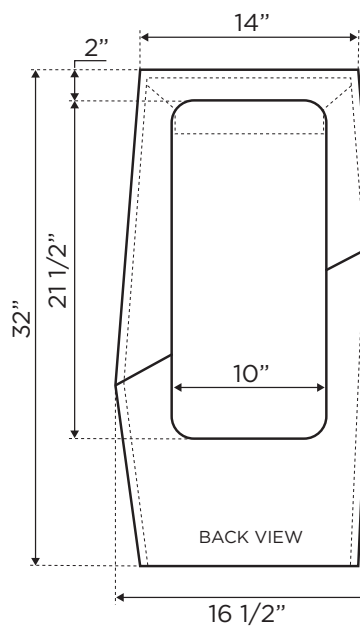
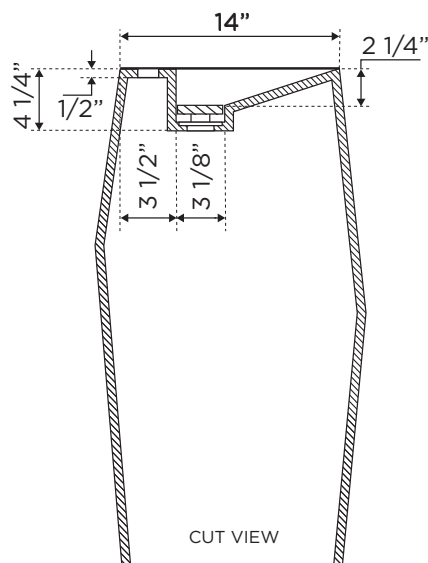
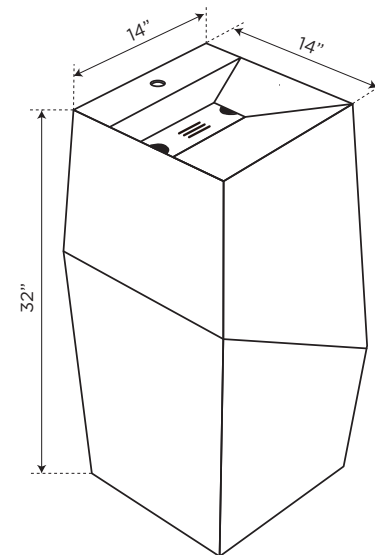
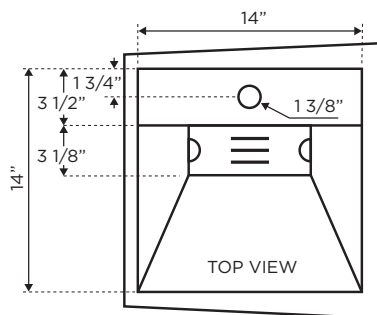


SPECIFICATIONS / TECHNICAL DATA

CANYON
PEDESTAL SINK
SINTERED STONE

15"



ATTENTION! Dimensions may vary by up to 3/8". It is highly recommended to pull all dimensions of actual model for installation and measuring purposes.

MODEL# CN15